



IPC Integrated Professional Cleaning

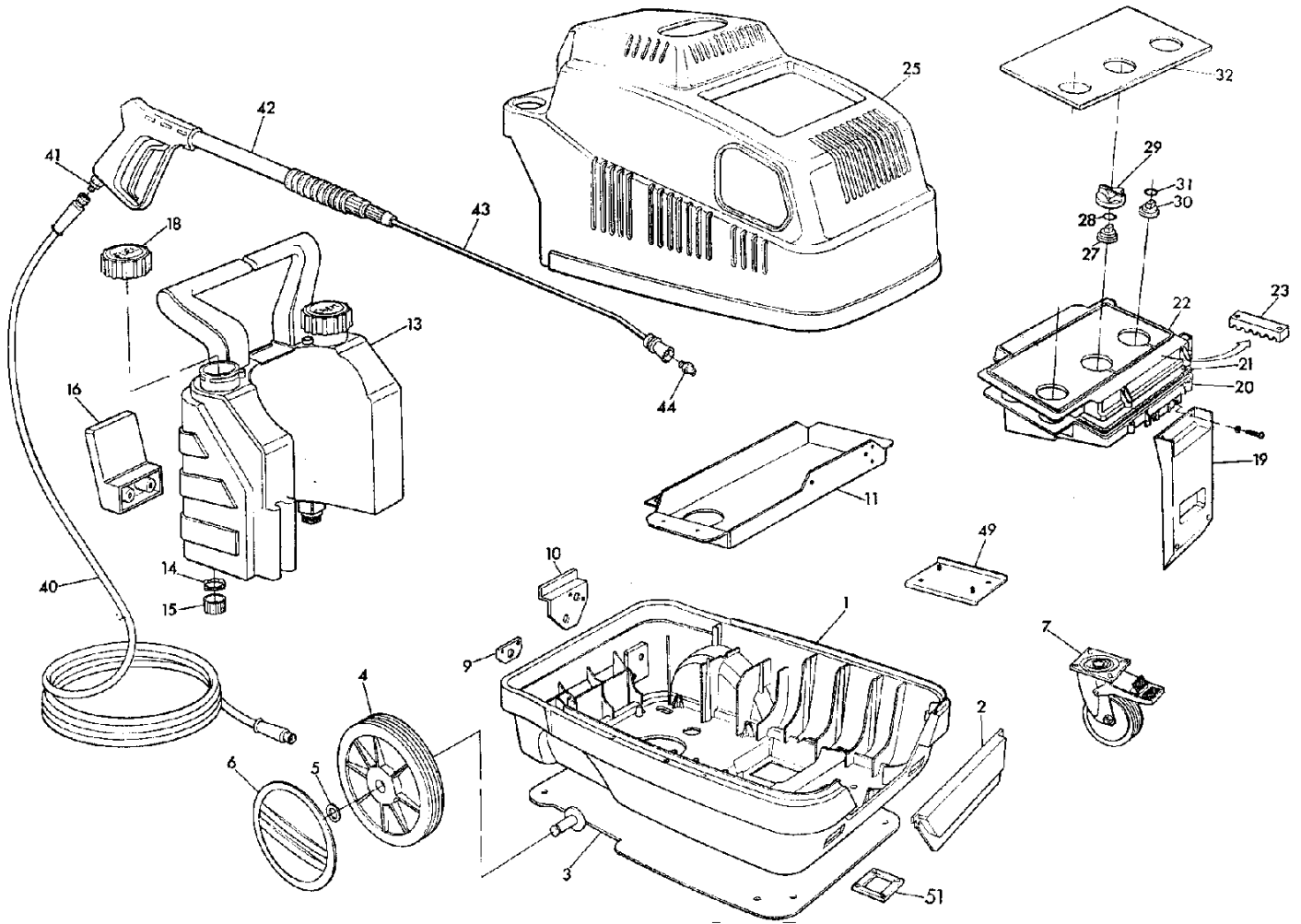
IPC Portotecnica

Spare Parts List

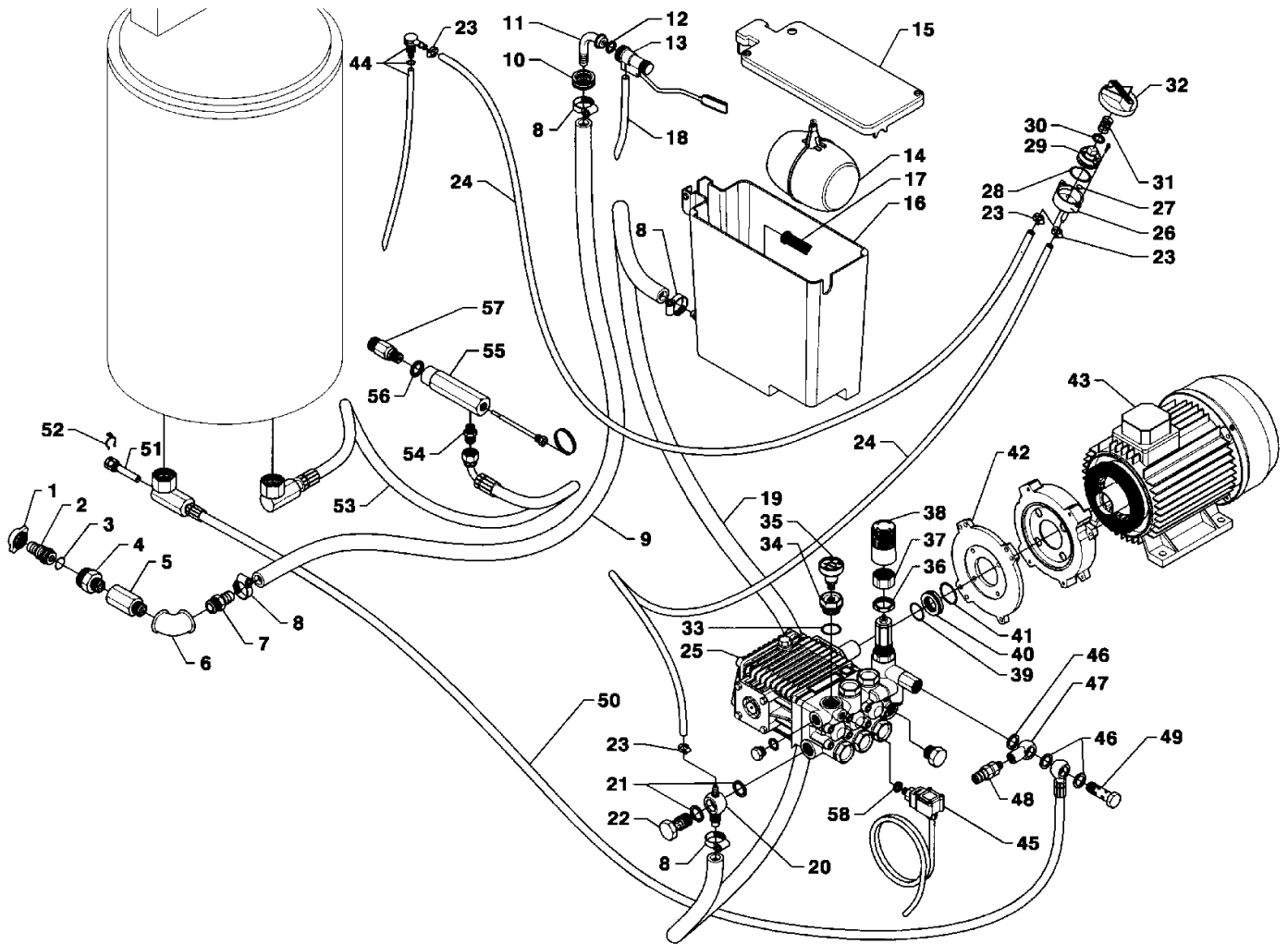
PORTOTECNICA

Ref: IDAC40264

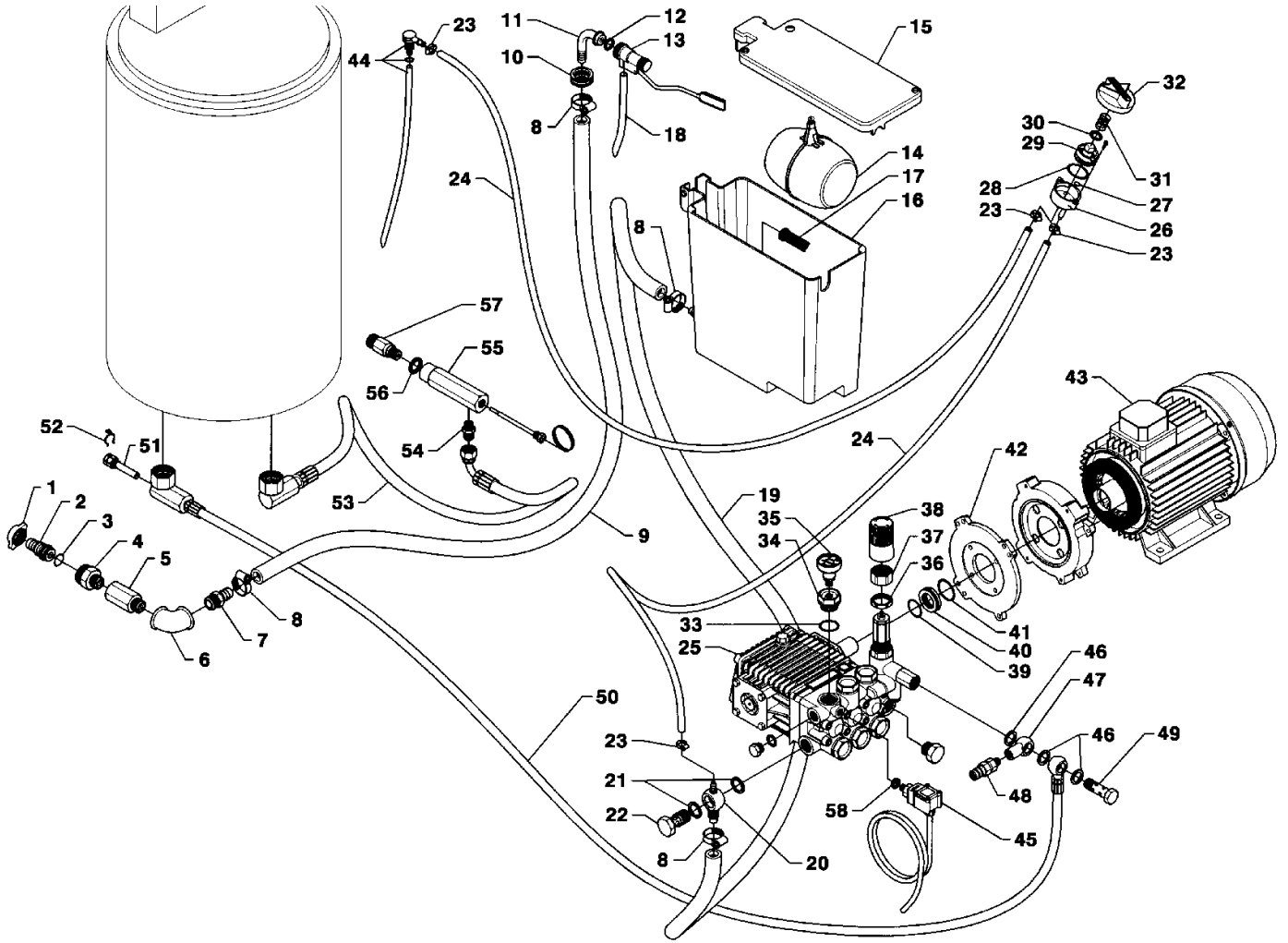
Model: IDROP GOLDEN JT.DS 2650 T 400/50 3-01PRT



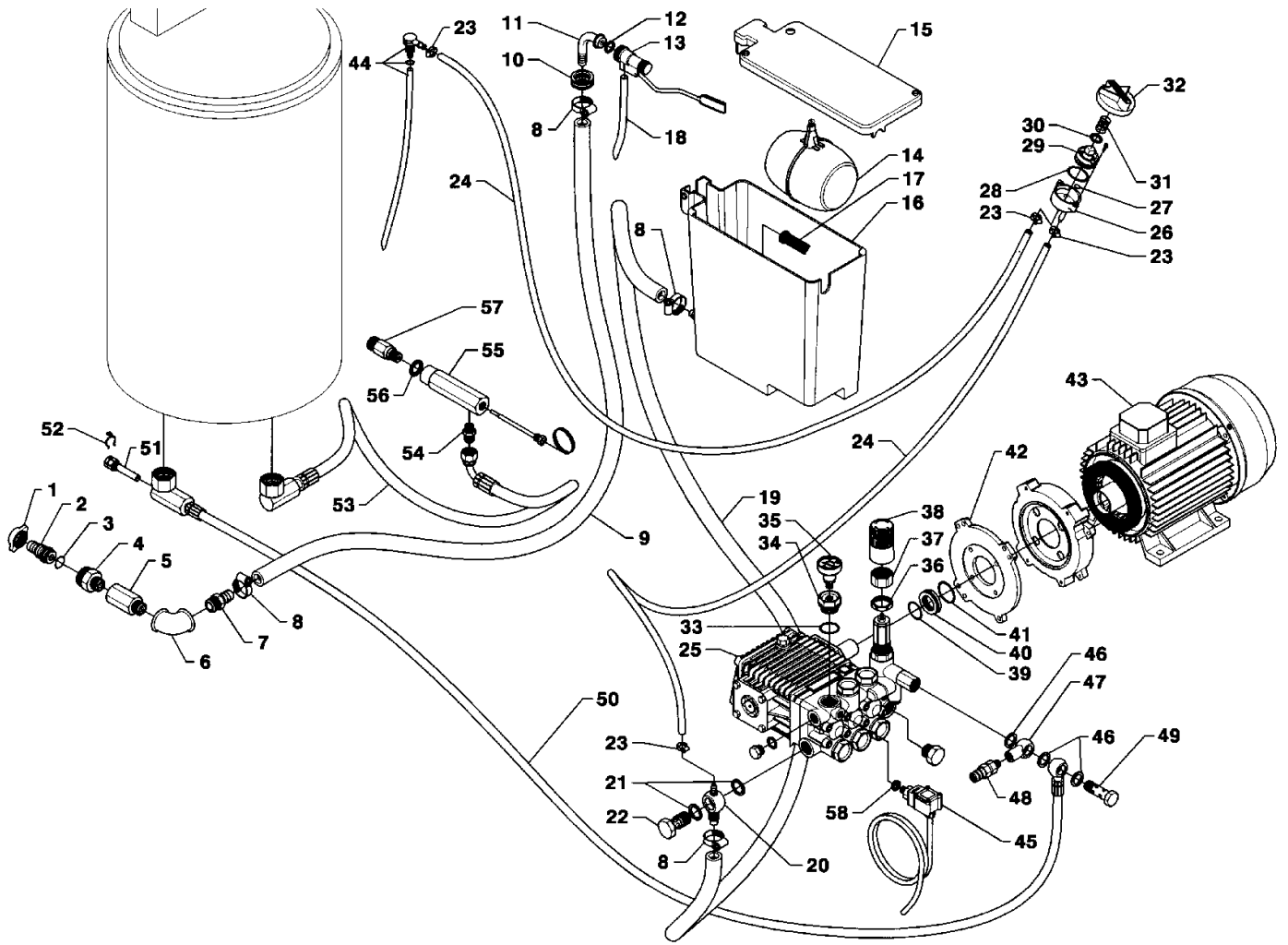
Ref.	K	Part N.	Customer Part N.	Description	Qty	Validity:		Price
						From	To	
0001		MPVR33490		CHASSIS MISTRAL PP	1,00			--
0002		MPVR34168		DOOR MISTRAL PP	1,00			--
0003		LAFN33489		SUPPORT MST	1,00			--
0004		RTRT24320		WHEEL D.250-D.25 RT-PRT	2,00			--
0005		VTRS09813		WASHER D.25	2,00			--
0006		MPVR25910		RED WHEEL COVERD. 250 RT/PRT	2,00			--
0007		RTRT13708		TURNING WHEEL D.125 P. MZ.PLS	1,00			--
0009		LAFN34637		SUPPORT MST	1,00			--
0010		LAFN34052		SUPPORT MST	1,00			--
0011		LAFN40508		MOTOR PLATE MST S/BLC.	1,00	03/1997		--
0013		MPVR33530		TANK MISTR. PEHD	1,00			--
0014		GUGO11489		GASKET D.22X1,5	2,00			--
0015		PVVR11806		DISCHARGE CAP FLL	2,00			--
0016		LAFN20105		HOSE SUPPORT KSM	1,00			--
0018		MPVR20418		TANK CAP KSM	2,00			--
0019		MPVR33534		BOX SUPPORT MST PA 66	2,00			--
0020		MPVR33248		CONTROL BOX MISTRAL PP	1,00			--
0021		GUGO11309		JOINT MOUSSE D. 3	1,20			--
0022		MPVR40023		BOX COVER MISTRAL C/F.MN.BK	1,00			--
0023		MPVR33250		CABLE CLAMP COVMISTRAL	1,00			--
0025		MPVR33318		RED COVER MISTRAL PP	1,00			--
0027		MPVR10083		TAIL PIECE OKA L=22	1,00			--
0028		GUGO23079		V-SEAL RING VA0014 13.5- 15.5	1,00			--
0030		MPVR23484		TAIL PIECE THERM.KSM TUV	1,00			--
0031		GUGO25527		O-RING D. 14 X 3 NBR 70SH	1,00			--
0032		ETET40526		LABEL GLD JT.P. PCV R	1,00			--
0040		TBAP25324		H.P. HOSE R1 MT 10 5/16" C/2 IRV ZC	1,00			--
0042		IPPR43065		GRIP G 2200 +PR.330 +M22 M	1,00	04/2000	11/2004	--
0042		IPPR45298		GRIP G 4500 - P 330 - M22 M V	1,00	12/2004	03/2007	--
0042		IPPR89429		GRIP G 4500 - P.330 -M22SW.M V	1,00	03/2007		--
0043		LCPR12976		EXTENSION P 70	1,00	01/2007		--
0044		UGLN00044		NOZZLE 1/4 2505	1,00		01/2007	--
0044		UGLN05199		LANCE NOZZLE LECH 1/4 2505	1,00	01/2007		--
0049		LAFN35778		B.TANK BRACKET MST INX	1,00			--
0051		LAFN40224		PLATE MST	1,00	10/1998		--
0052		MEVR27264		FUSE-HOLDER 031-1081	1,00			--



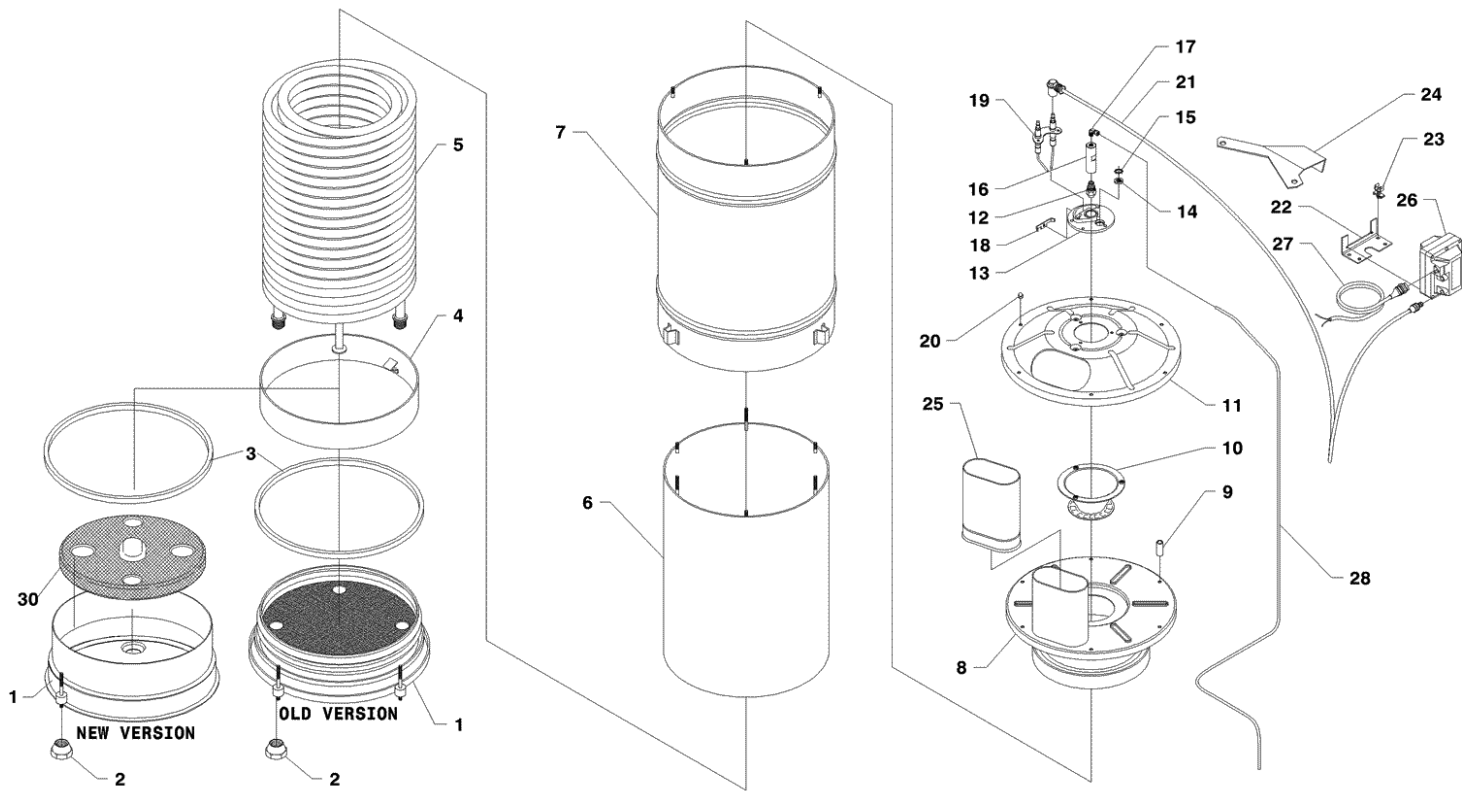
Ref.	K	Part N.	Customer Part N.	Description	Qty	Validity:		Price
						From	To	
0001		RCDS09316		CONNECTION G. 3/4	1,00			--
0002		RCDS08965		HOSE FITTING OTT.	1,00			--
0003		GUGO01054		O-RING D. 15.08 X 2.62 NBR 70SH	1,00			--
0004		RCDS35797		NIPPLE 3/4 - 1/2 OTT MST	1,00			--
0005		RCDS17206		SLEEVE 1/2 M/F L= 50-65	1,00	02/2001		--
0006		RCVR00578		ELBOW 1/2" F	1,00	02/2001		--
0007		RCDS02689		HOSE FITTING 1/2 M D.12-16	1,00	02/2001		--
0008		FSVR00431		CLAMP D. 16-25	3,00	02/2001		--
0009		TBBP00055		L.P. HOSE D.15-23 10BAR AYTK.	0,62	02/2001		--
0010		RCDS10356		RING NUT FUT	1,00	02/2001		--
0011		RCDS10357		HOSE FITTING FUT 90°	1,00	02/2001		--
0012		VTRS00548		WASHER D.17,5X23X1,5 (3/8)RM	1,00	02/2001		--
0013		RCGR10358		TAP UG. D. 7	1,00	02/2001		--
0014		RCGR01387		PLASITC BALL D.104	1,00	02/2001		--
0015		MPVR10353		TANK COVER FUT PPL BK.	1,00			--
0016		MPVR22117		WATER TANK FUT PPL BK.	1,00	02/2001		--
0017		FTDT21315		FILTER D.20X45 18LT	1,00			--
0018		TBBP17436		L.P. HOSE D.12-14 RILSAN NT.	0,17	02/2001		--
0019		TBBP15656		L.P. HOSE D.16-26 20BAR	1,41	02/2001		--
0020		RCDS08814		CONNECTOR O. 1/2 - 8-16+5-7	1,00			--
0021		VTRS12491		WASHER 1/2	2,00			--
0022		RCDS33982		SCREW 1/2 C/SC. L=41.5 D.13.5	1,00			--
0023		FSVR15255		CLAMP D. 8-12	4,00			--
0024		TBBP00051		DETERGENT HOSE D. 6-12	1,40	12/1999		--
0024		TBBP00051		DETERGENT HOSE D. 6-12	0,45	12/1999		--
0025		PPAP41215		PUMP "44" W 124V DX OT.1.8 S.UK	1,00			--
0026		RCGR08069		TAP BODY DET. PRT	1,00			--
0028		GUGO12183		O-RING D. 23.4 X 3.53 VIT 70SH	1,00			--
0029		RCGR08070		ADJUSTER PRT	1,00			--
0030		VTRS00542		WASHER D.14X20	1,00			--
0031		MLML08068		SPRING D.1,5 L.23	1,00			--
0032		MPVR20190		GREY KNOB KSM	3,00			--
0032		MPVR20190		GREY KNOB KSM	3,00		11/2007	--
0032		MPVR46511		GREY KNOB KSM C/F.FIS.	3,00	11/2007		--
0033		GUGO19395		O-RING D. 20.24 X 2.62 NBR 70SH	1,00			--
0034		RCDS28468		CAP M24X1.5X17 "44" F.1/8	1,00			--
0035		MNMN37537		PRESSURE GAUGE 0-300 G1/8M "R" D.40	1,00	11/1999		--
0036		VTDD21787		NUT M28X1.5 L=5	1,00			--
0037		RCDS21788		RING NUT M 28 X 1.5 L=16	1,00			--



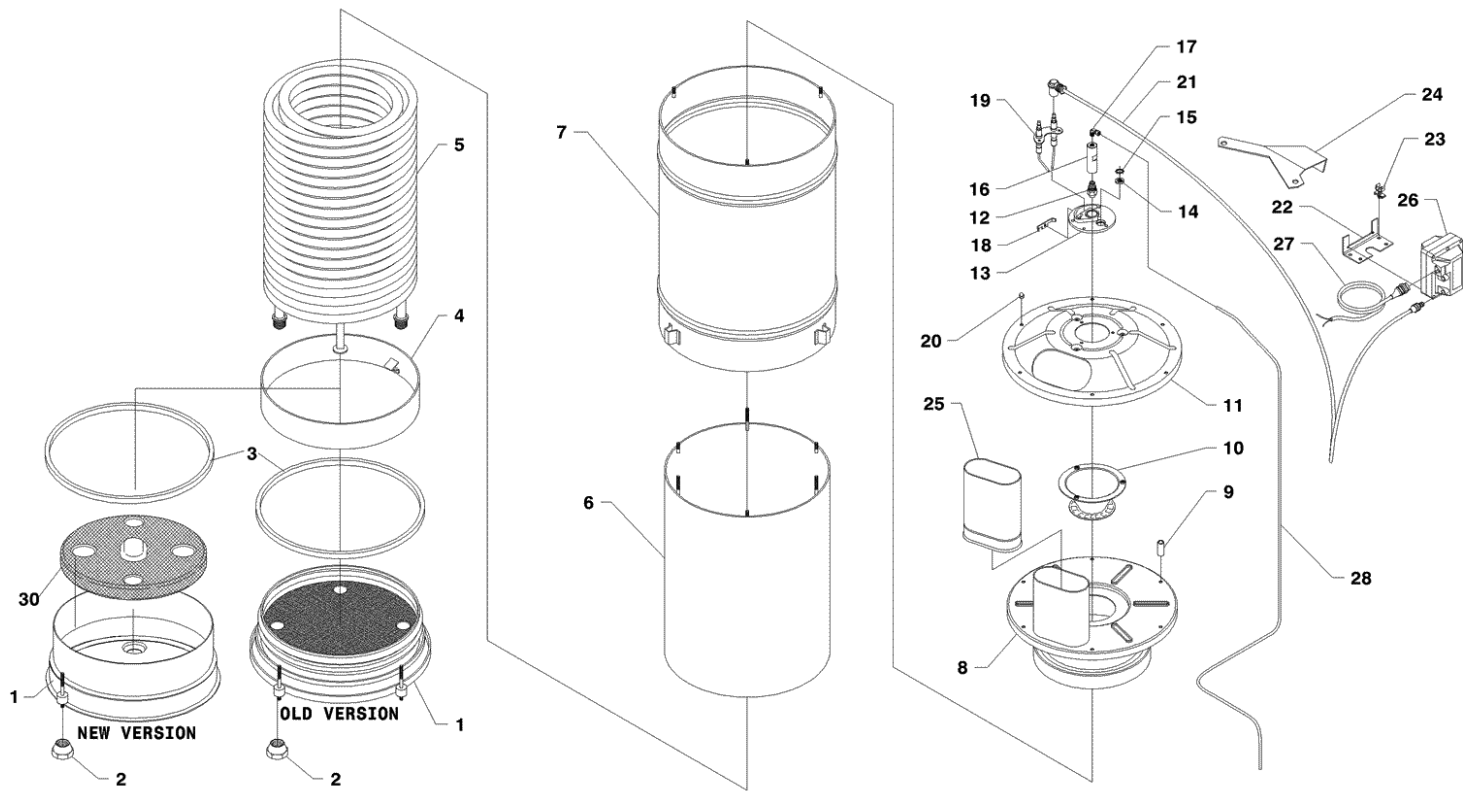
Ref.	K	Part N.	Customer Part N.	Description	Qty	Validity:		Price
						From	To	
0038		PVVR22163		KNOB L=60 V.INT.	1,00			--
0042		MFVR21309		COUNTERFLANGE MEC 90-100-112	1,00			--
0043		MOTR06344		3PH MOTOR AC HP 5.5 2/460-5/60 C.ED	1,00	04/2006		--
0043		MOTR41191		3PH MOTOR PRS HP5.5 230-400/50 C/CU	1,00	01/2000	04/2006	--
0044		RCDS20136		SUCTION L= 355 C.	2,00	11/1996		--
0045		MEPF39741		PRESSURE SWITCHMTM 1/8M NA/NC 25B. MICRO	1,00			--
0046		VTRS12492		WASHER 3/8	3,00			--
0047		RCDS40692		CONNECTOR O. 3/8 - G1/4F L=28.5	1,00			--
0048		VVSC39719		VALVE MG 2000 G1/4M 150B MIGNON	1,00		12/2004	--
0048		VVSC47427		VALVE MG 1000 G1/4M-M D.8 250B	1,00	12/2004		--
0049		RCDS14384		SCREW G 3/8 VSP 180	1,00			--
0050		TBAP40552		HOSE-FITTING 3/ 8 R2 L=880 O3/8-1/2PMG	1,00			--
0051		RCDS00593		SUMP IM 0-120 L=50	1,00			--
0052		MLML02623		SPRING IMT	1,00			--
0053		TBAP33971		HOSE-FITTING 3/ 8 L=275 R2 3/8F -1/2P.	1,00		05/2009	--
0053	S	RCDS40056		CONNECTOR L=150 90° 2X1/4M CN. ZC.	1,00	05/2009		--
0053	S	RCDS40054		CONNECTOR M14X1.5 -G1/4F CH.27	1,00	05/2009		--
0053	S	VTDD19324		NUT G 1/2	1,00	05/2009		--
0053	S	RCDS19326		CONNECTOR M 14	1,00	05/2009		--
0054		RCDS34050		NIPPLE 3/8-14X1.5 L=61	1,00		05/2009	--
0055		RCDS34048		BLOC BODY 3/8F MST	1,00		05/2009	--
0055	S	RCDS40052		CONNECTOR G 3/8F -M14 +G1/4F C.27	1,00	05/2009		--
0056		VTRS22537		WASHER D. 16	1,00			--
0057		RCDS13012		NIPPLE M22-3/8 D. 7.5	1,00			--



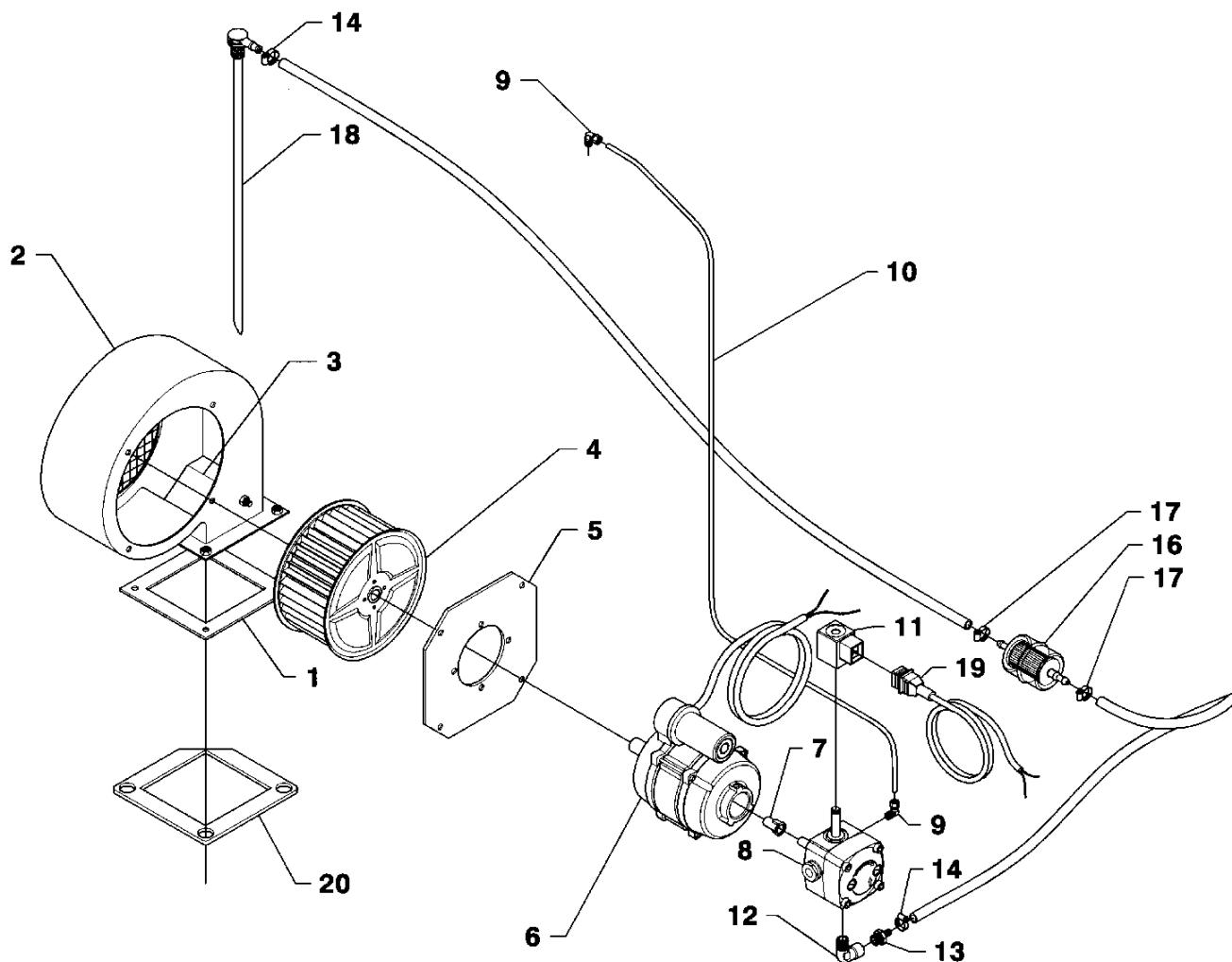
Ref. Part N.	Cust. Part N.	Description	Reference	Price
0053	KTRI40083	KIT PX 1- 43 HOSE 3/8 MST	0053 0053 0053 0053 0055	--



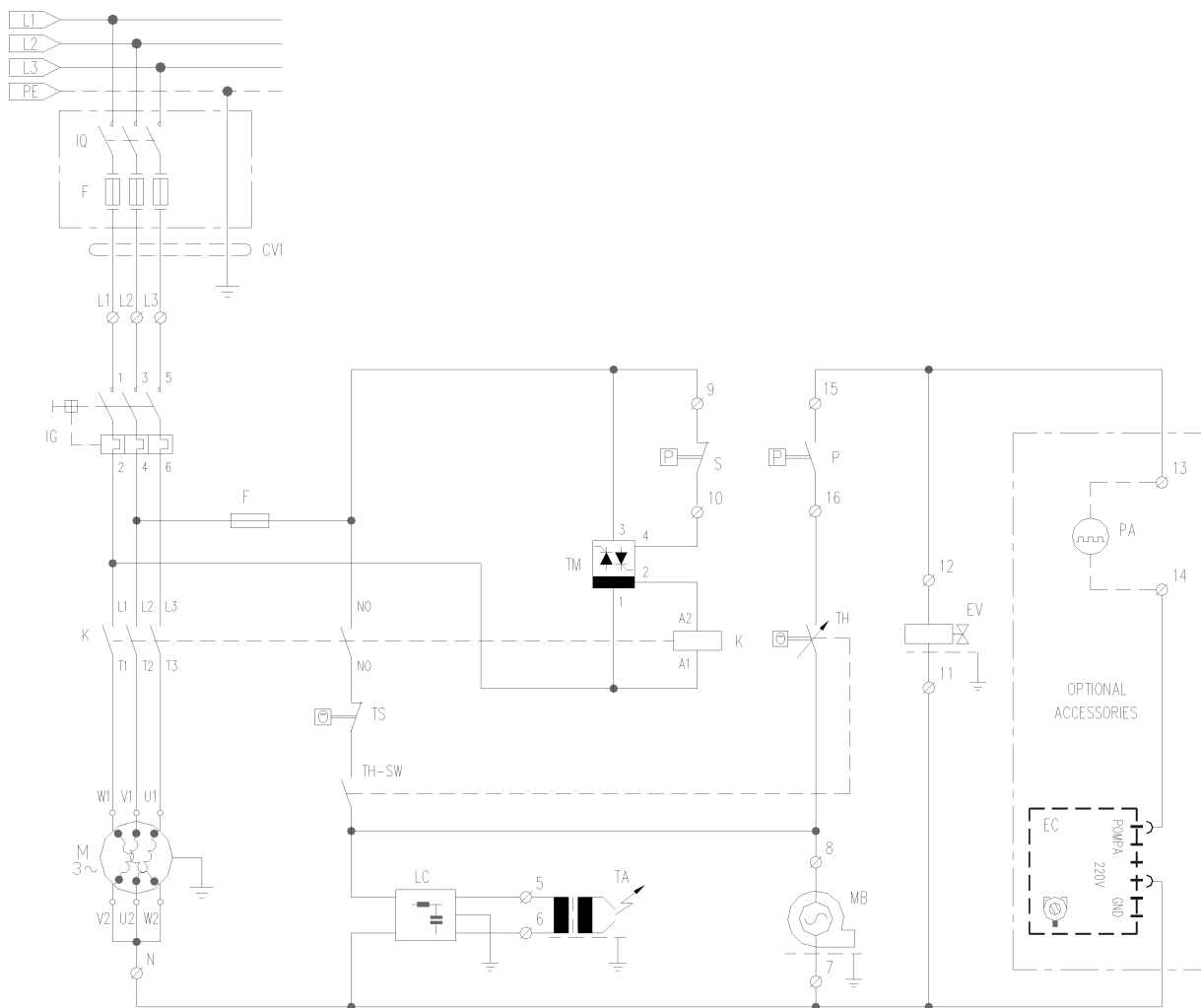
Ref.	K	Part N.	Customer Part N.	Description	Qty	Validity:		Price
						From	To	
0001		LAFN12715		BOILER BOTTOM FUT	1,00		10/2007	--
0001	S	LAFN40038		BOILER BOTTOM FUT. 2V. BK	1,00	11/2007		--
0002		RCDS00561		RING NUT 1/2 OTT	2,00			--
0003	S	GUVR35205		GASKET D. 7 FIB.	1,02	02/1996		--
0004		LAFN11708		METAL STRIP FUT	1,00		10/2007	--
0005		LAFN11724		DOUBLE COIL 3/8 FLL 24M 200B.	1,00			--
0006		LAFN07969		INT. CYLINDER FUT INX	1,00		10/2007	--
0006	S	LAFN40077		INT. CYLINDER FUT 2V.INX	1,00	11/2007		--
0007		LAFN07674		EXT. CYLINDER FUT INX	1,00			--
0008		LAFN42581		BOILER COVER SIMST INX	1,00	07/2000		--
0009		LAFN09096		SPACER 10X28,5	3,00			--
0010		LAFN08042		BAFFLE FUT	1,00			--
0011		LAFN07676		BOILER COVER SEFUT INX	1,00			--
0012		UGBR22576		BURNER NOZZLE 1.35 60 S	1,00			--
0013		MFVR18226		ELECTR.HOLDER FUT 3°V	1,00			--
0014		MPVR18228		OIL WARN-LIGHT D.17 X3	1,00			--
0015		VTAE22633		SEEGER 0.4 X18,30X10,5	1,00			--
0016		RCDS07642		NOZZLE HOLDER FUT	1,00			--
0017		RCVR08954		ELBOW 1/8"-4 B5	1,00			--
0018		LAFN07641		PLATE INX	1,00			--
0019		MECA12525		ELECTRODE FUT	1,00			--
0020		VTDD05907		NUT M 6 CIE.	6,00			--
0021		MECV35334		CABLE A.T. 9,8-23KOHM/M L= 400P	2,00	07/1999		--
0022		LAFN33974		SUPPORT BRACKETMST	1,00			--
0023		MEVR15389		CLIP F-0201	1,00		09/2009	--
0023		MEVR40027		CLIP D. 6.35 DB.	1,00	09/2009		--
0024		LAFN34806		BRACKET MST 30MT	1,00			--
0025		LAFN34419		CHIMNEY EXTENS.MST. H.160 INX	1,00			--
0027		MECB34463		CABLE BT L=800 SP.	1,00			--
0030	S	ITTE48421		BOTTOM FUT C.TE	1,00	11/2007		--



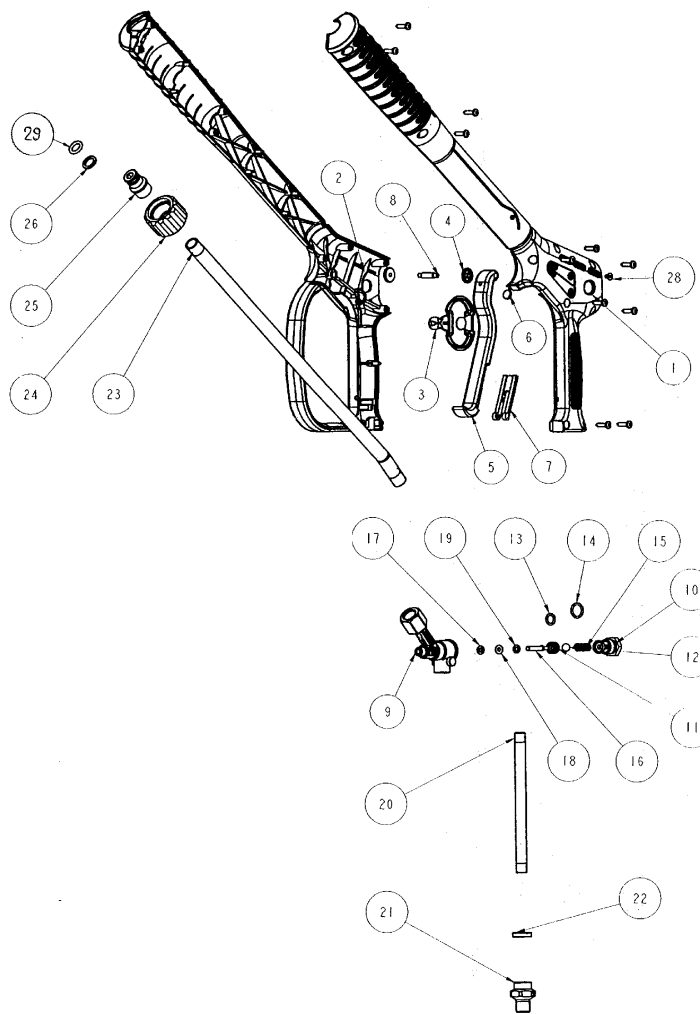
Ref. Part N.	Cust. Part N.	Description	Reference	Price
9999	KTRI40022	KIT PX 1- 36 FT.30MT	0001 0003 0006 0030	--



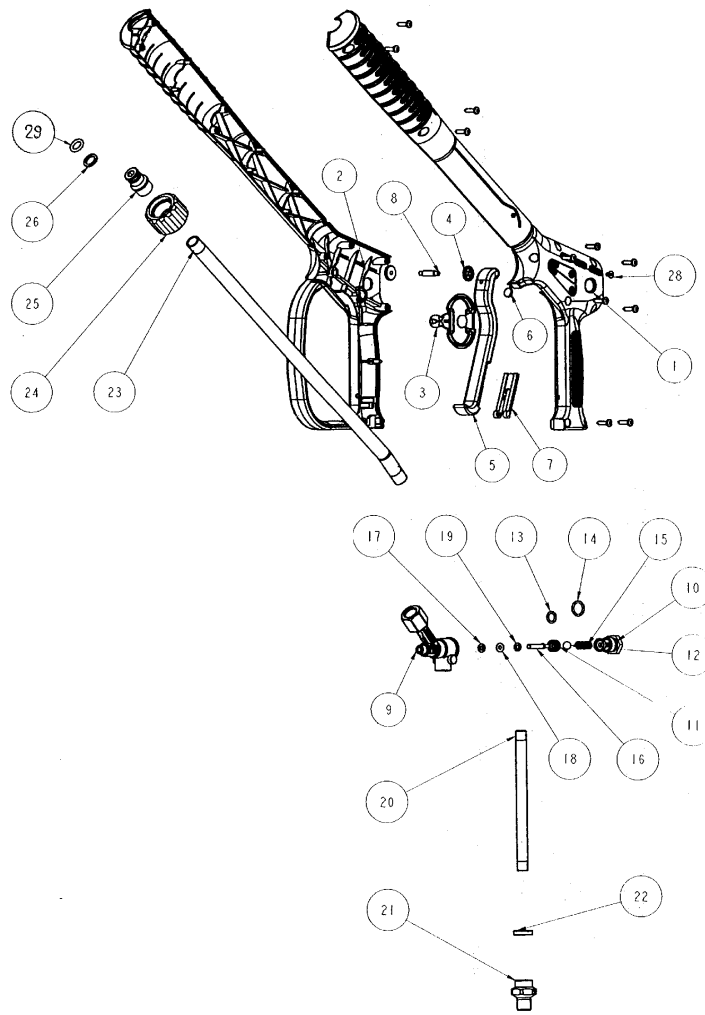
Ref.	K	Part N.	Customer Part N.	Description	Qty	Validity:		Price
						From	To	
0001		GUGO11214		GASKET FLL	1,00		05/2007	--
0001		GUGO40003		GASKET CB4	1,00	06/2007		--
0002		LAFN33967		SCROLL CB4 -MST	1,00		05/2007	--
0002		MPVR40010		SCROLL CB4 -2PZ.CP	1,00	06/2007		--
0003		LAFN11160		BUTTERFLY VALVEFLL	1,00			--
0004		VEVR34275		IMPELLER D.160-80 D.12.7 36P B.SX	1,00			--
0005		LAFN10272		MOTOR PLATE CB 3	1,00	04/2000		--
0006		MOMB34119		BURNER MOTOR 230-50 IP44 150W A.OR	1,00			--
0007		KTRI36516		KIT P 18- 9	1,00			--
0008		FTCO88927		FUEL FILTER S.AL	1,00	01/2005		--
0008		PPGS40009		FUEL PUMP DNF BFA 01L3L1	1,00	04/2010		--
0008		PPGS40117		FUEL PUMP DLT VM1LR15	1,00	09/1998	01/2005	--
0008		PPGS88084		FUEL PUMP DLT ALLUM. A1L1	1,00	01/2005	03/2010	--
0010		TBCO33977		DIESEL HOSE MST 30MT D. 4	1,00			--
0012		RCVR00573		ELBOW 1/4" M/F A10	1,00			--
0013		RCDS00626		HOSE FITTING 1/4 M D. 5- 7	1,00			--
0014		FSVR15255		CLAMP D. 8-12	2,00			--
0015		TBCO06945		L.P. HOSE D. 6-12 10BAR C.PRESS	1,35			--
0016		FTCO34840		FUEL FILTER FB 7/A NYL.	1,00		04/2010	--
0016		FTCO40003		FUEL FILTER FB 7/TA 60mc NYL.	1,00	04/2010		--
0017		FSVR11197		CLAMP D.I. 11 13315	2,00			--
0018		RCDS20136		SUCTION L= 355 C.	1,00			--
0019		MECB18118		CABLE DLT L=1.600	1,00			--



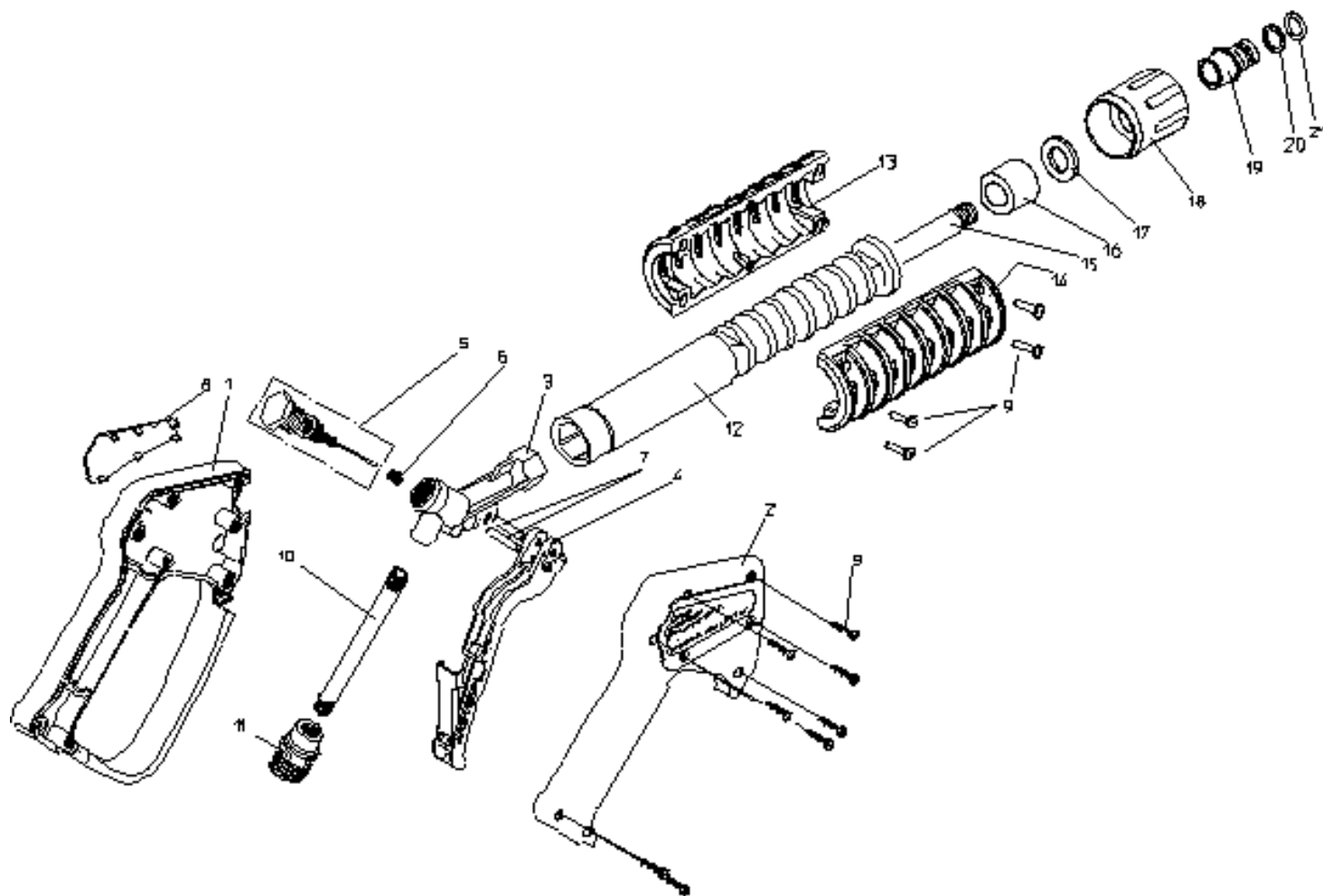
Ref.	K	Part N.	Customer Part N.	Description	Qty	Validity:		Price
						From	To	
F		MEVR00237		FUSE 5X20 3,15A	1,00			--
K		METT40664		CONTACTOR SIE 3RT 1017 1AV01 400V	1,00			--
P		MEPF39741		PRESSURE SWITCHMTM 1/8M NA/NC 25B. MICRO	1,00			--
S		MEPF39924		PRESSURE SWITCHSLV N.A. 16(6)A XGA 2	1,00	03/2003		--
T		METY37439		TIMER THV/1S 380-415V 30S.5/60	1,00			--
EC		MECE21631		PCB D.NM1 220V	1,00			--
EV		MEBE18120		COIL DLT 220-50 S/CV.	1,00			--
EV		MEBE18120		COIL DLT 220-50 S/CV.	1,00		01/2005	--
EV		MEBE43705		COIL DNF 220-50	1,00	04/2010		--
EV		MEBE49881		COIL DLT 220-50 NF84	1,00	01/2005	03/2010	--
IG		MECI08294		SWITCH O.K.N. 10-16 A	1,00			--
LC		MECE34831		FILTER LC F.AH.DA.3100ZF 6.5A	1,00			--
PA		MEPD22718		DESCALING PUMP NME-1 220V CPL.	1,00			--
TA		METR34464		TRANSFORMER 230V-50HZ 2X4000V SP4 CM	1,00	09/1996		--
TH		METK33752		THERMOSTAT 30-150°C TR/711-N+ BS75	1,00			--
TS		METK34839		THERMOSTAT 50°C TR/711-N C.1.5	1,00			--
CV1		MECB17414		CABLE H07 RNF 4X2.5 L=6.500	1,00	01/1999		--



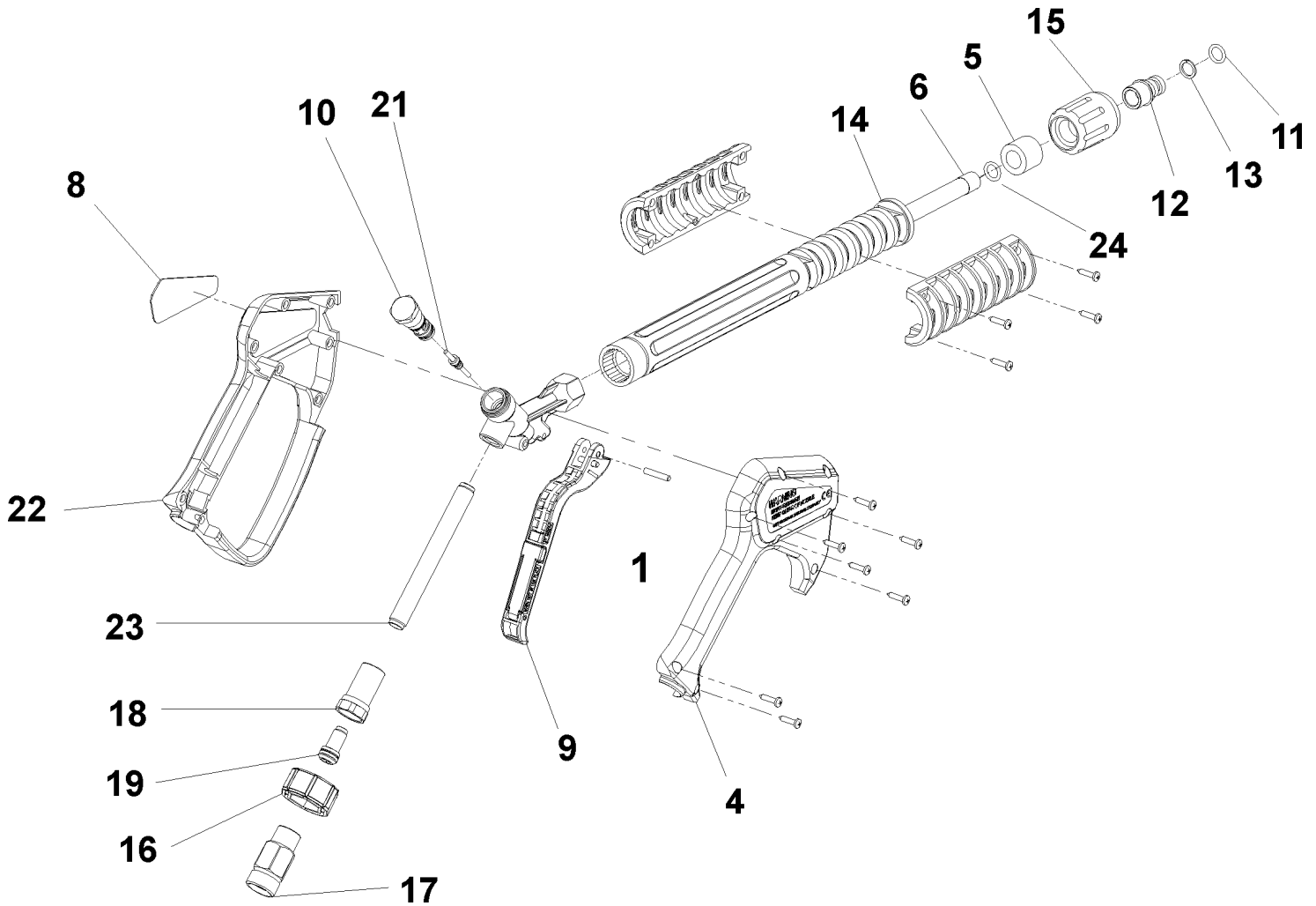
Ref.	K	Part N.	Customer Part N.	Description	Qty	Validity:		Price
						From	To	
0001		MPVR43269		HALF BEARING G2200 SX PRT	1,00			--
0002		MPVR43268		HALF BEARING G2200 DX PRT	1,00			--
0003		MPVR43270		CAP G2200	1,00			--
0004		VTRS41562		WASHER AURA 200	2,00			--
0005		MPVR41568		TRIGGER AURA 200	1,00			--
0006		PVVR41567		PAWL AURA 200 INX	1,00			--
0007		MPVR41569		SAFETY-DEVICE AURA 200	1,00			--
0008		VTVR41566		PLUG AURA 200	1,00			--
0009		PVVR41559		GUN BODY AURA G1/4 L.18	1,00			--
0010	E	PVVR43275		CAP M14X1 AURA 200 2.V	1,00			--
0011	E	PVVR43274		BALL SEAT AURA 200 2.V	1,00			--
0012	E	SFVR12904		BALL D. 9/32 W1 INX	1,00			--
0013	E	GUGO63426		O-RING D. 7.66 X 1.78 NBR 90SH	1,00			--
0014	E	GUGO19194		O-RING D. 11.11 X 1.78 NBR 70SH	1,00			--
0015	E	MLML41571		SPRING D. 7 X21 D.1.2	1,00			--
0016	S	PVVR43264		SMALL PISTON AURA 200 INX L=30 2V.	1,00			--
0017	S	GUVR41557		ANTI-EXTR.RING D. 4 X 7.8X1.2	1,00			--
0018	S	GUGO01201		O-RING D. 3.6 X 2.4 -NBR 70SH	1,00			--
0019	S	VTRS43265		WASHER OT AURA	1,00			--
0020		PVVR43272		TUBE G 1/8" M/M L.133	1,00			--
0021		RCIN41561		MALE COUPLING M 22 -1/8F	1,00			--
0022		MPVR43271		WASHER 1/8" G2200	1,00			--
0023		LCPR43273		TUBE 1/4 L=384 0° 1/4 M-M INX	1,00			--
0024		PVVR43276		CONNECTION M22X1,5 IRV	1,00			--
0025		RCIN43267		GUDGEON G 1/4 F IRV	1,00			--
0026		GUVR43266		ANTI-EXTR.RING SR 110	1,00			--
0028		PVVR42233		CAP D. 3 PLS YLW.	1,00			--
0029		GUGO28927		O-RING D. 9.13 X 2.62 NBR 70SH	1,00			--



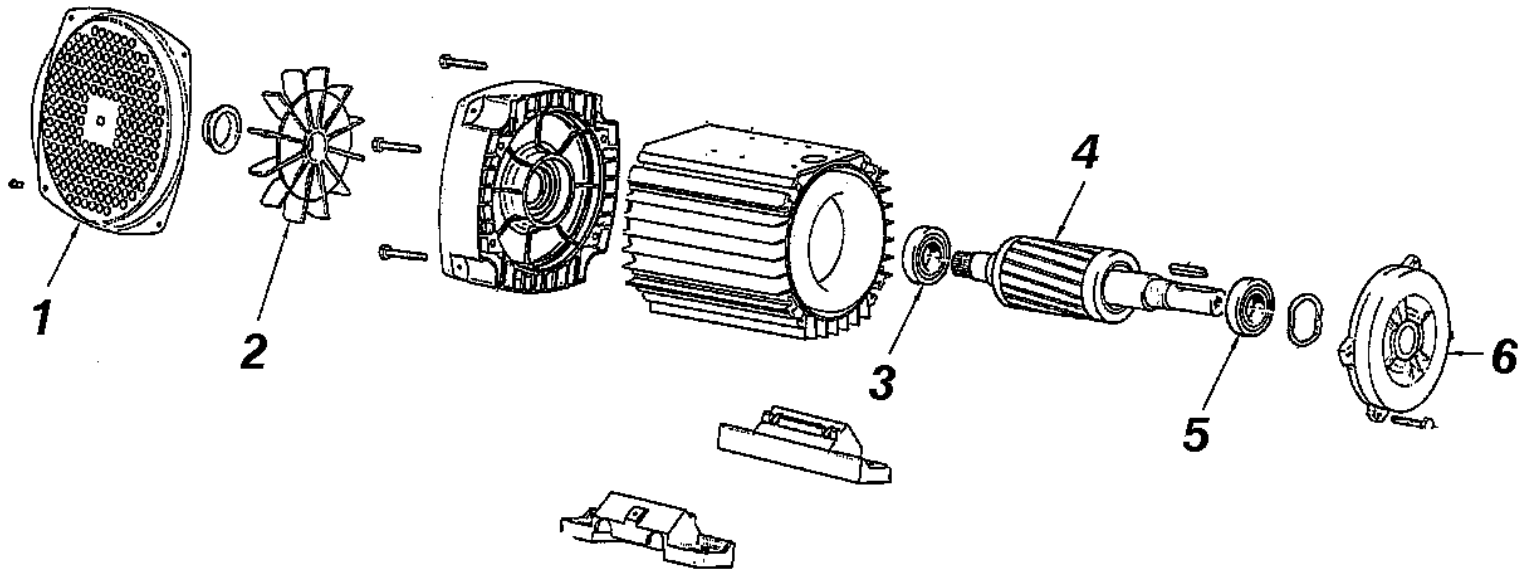
Ref. Part N.	Cust. Part N.	Description	Reference	Price
KTRI40835	KIT P	26- 15 AURA 200	0011 0012 0013 0014 0015 0016 0017 0018 0019	--
KTRI47792	KIT P	26- 20 AURA 200	0010 0011 0012 0013 0014 0015	--



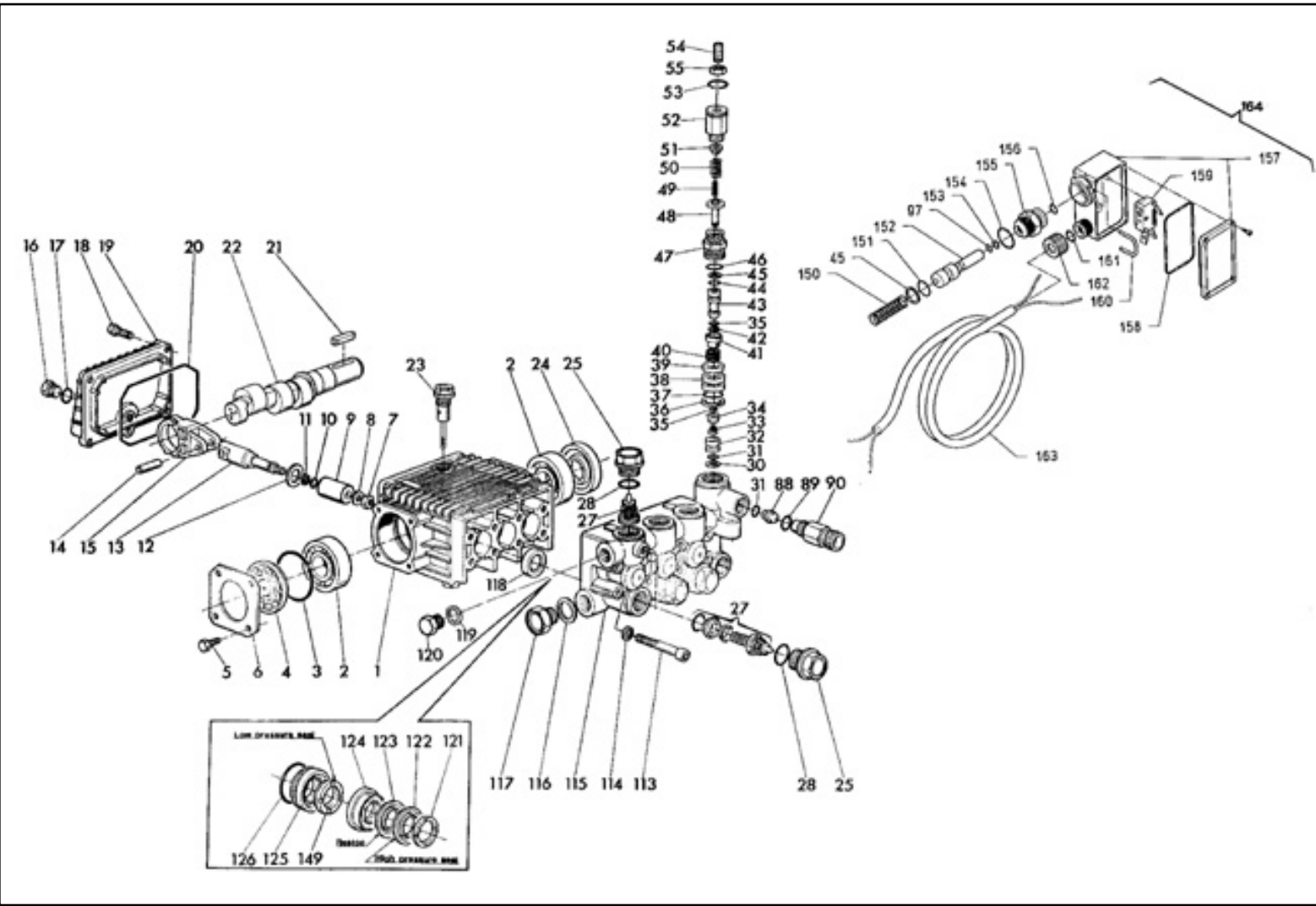
Ref. K	Part N.	Customer Part N.	Description	Qty	Validity:		Price
					From	To	
0001	MPVR46562		SHELL G 4500	1,00			--
0002	MPVR46563		COVER G 4500	1,00			--
0003	PVVR46564		GUN BODY G 4500 G1/4 OT.	1,00			--
0004	MPVR46565		TRIGGER G 4500	1,00			--
0005	PVVR46566		SMALL PISTON G 4500 CPL.	1,00			--
0006	PVVR46567		PISTON GUIDE G 4500 CPL.	1,00			--
0007	VTVR46568		PLUG G 4500	2,00			--
0008	MPVR46569		PLATE G 4500 RD.	1,00			--
0009	VTVT28553		SCREW TCB-TC 3.5X16	11,00			--
0010	PVVR37732		TUBE G 1/4" M/M L.139	1,00			--
0011	RCIN03752		MALE COUPLING 1/4FA	1,00			--
0012	MPVR46570		PROTECTION P 330 ST	1,00			--
0013	PVVR13440		SHELL PROTECTI.ST	2,00			--
0015	LCPR46571		TUBE 1/4 L=352 ZC.	1,00			--
0016	MPVR46572		SPACER P 330 ST	1,00			--
0017	VTRS04931		WASHER COPPER D.13X19X1.5	1,00			--
0018	PVVR13445		CONNECTION M 22X1,5 L=45	1,00			--
0019	RCVR13030		GUDGEON G 1/4 F L=31.5	1,00			--
0020	GUVR10526		ANTI-EXTR.RING D.13.9X10.2 C.BZ	1,00			--
0021	GUGO10525		O-RING D. 9.3 X 2.4 NBR 70SH	1,00			--



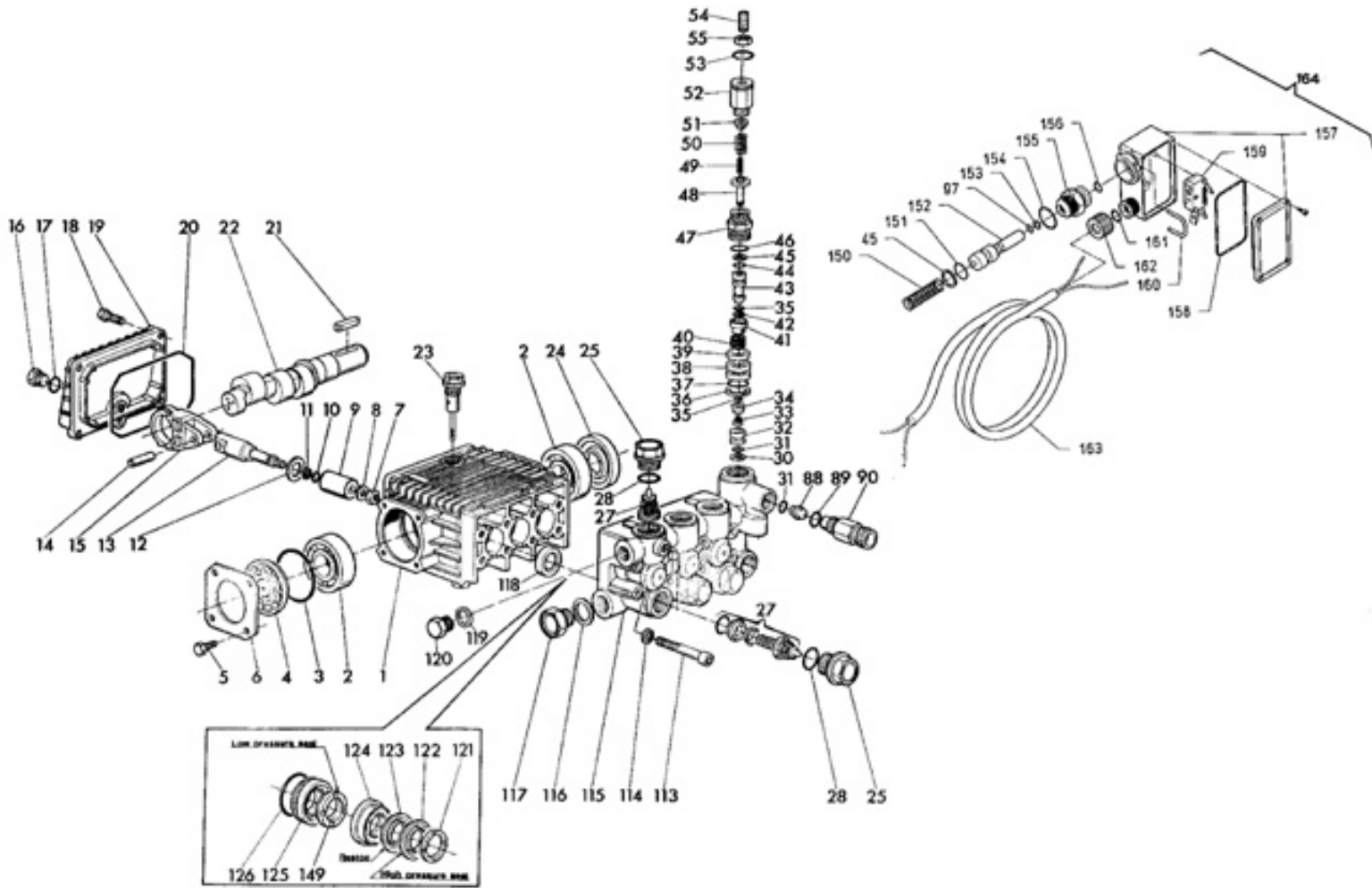
Ref. K	Part N.	Customer Part N.	Description	Qty	Validity:		Price
					From	To	
0001	VTVR46568		PLUG G 4500	1,00			--
0004	MPVR40157		COVER G 4500 2V.	1,00	05/2008		--
0004	MPVR46563		COVER G 4500	1,00		04/2008	--
0005	MPVR46572		SPACER P 330 ST	1,00			--
0006	LCPR40007		TUBE 1/4 L=352 ZC. 2V.	1,00	05/2008		--
0006	LCPR46571		TUBE 1/4 L=352 ZC.	1,00		04/2008	--
0008	MPVR46569		PLATE G 4500 RD.	1,00			--
0009	MPVR40057		TRIGGER G 4500 -SW	1,00			--
0010	PVVR40030		SMALL PISTON TM ST-2300	1,00			--
0011	GUGO10384		O-RING D. 10 X 2.2 VIT 80SH	1,00			--
0012	RCVR13030		GUDGEON G 1/4 F L=31.5	1,00			--
0013	GUVR10526		ANTI-EXTR.RING D.13.9X10.2 C.BZ	1,00			--
0014	MPVR46570		PROTECTION P 330 ST	1,00			--
0015	PVVR13445		CONNECTION M 22X1.5 L=45	1,00			--
0016	MPVR40058		RING NUT G4500 SW.	1,00			--
0017	RCIN40001		JOINT SWIV 4500 3/8"F	1,00		04/2008	--
0017	RCIN40005		JOINT SWIV 4500 3/8"F 2V.	1,00	05/2008		--
0018	RCIN31641		CONNECTOR SWIV 1500 F	1,00			--
0019	KTRI31645		KIT P 26- 14	1,00			--
0021	PVVR40031		ROD ST-2300	1,00			--
0022	MPVR40156		SHELL G 4500 2V.	1,00	05/2008		--
0022	MPVR46562		SHELL G 4500	1,00		04/2008	--
0023	PVVR40023		TUBE G 1/4" M/M P/SW.	1,00			--
0024	GUGO27021		O-RING D. 11 X 2.5 EPD 70SH	1,00	05/2008		--



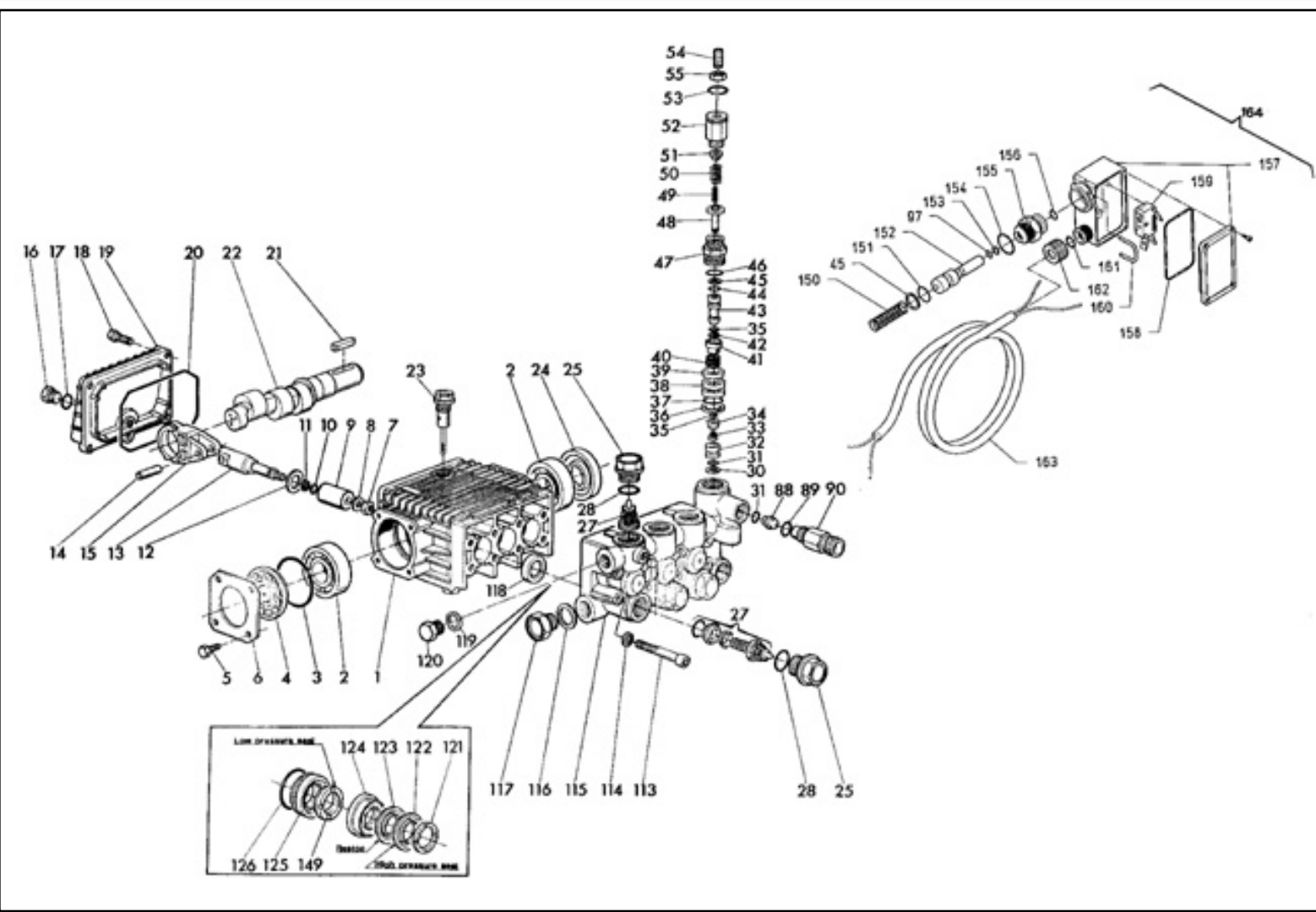
Ref. K	Part N.	Customer Part N.	Description	Qty	Validity:		Price
					From	To	
0001	LAFN40007		PROTECTION ED H.112 EST. LM.BK	1,00			--
0002	VEVR48370		MOTOR FAN H 112 EST. ELD	1,00			--
0003	CUVR40002		BALL BEARING 6306 2Z	1,00			--
0004	MORT40000		EL.MOT. ROTOR 5.5HP T 4P H112 AC EST ED	1,00			--
0005	CUVR21250		BALL BEARING 6008 2Z	1,00			--
0006	MFVR48371		FLANGE MOTOR MEC 112 T. EST. ELD	1,00			--



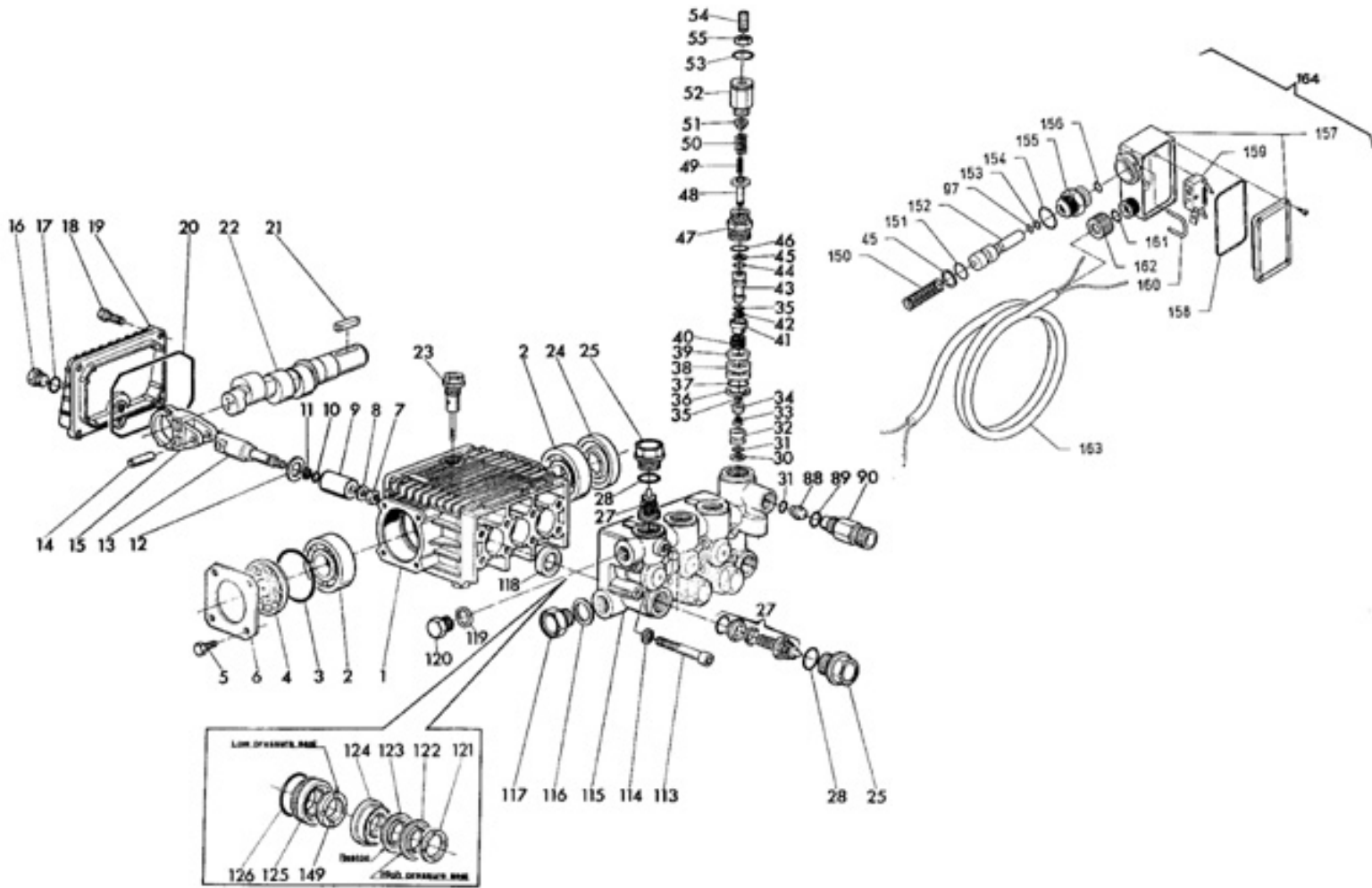
Ref.	K	Part N.	Customer Part N.	Description	Qty	Validity: From	To	Price
0001		MFVR28453		PUMP CRANKCASE "44"	1,00			--
0002		CUVR09654		BALL BEARING 6305	2,00			--
0003		GUGO01040		O-RING D. 55.56 X 3.53 NBR 70SH	1,00			--
0004		MFVR28454		SPACER "44"	1,00			--
0005		VTVT01109		SCREW TE M 6X 10 ZC. UNI 5739	4,00			--
0006		MFVR03562		CRANKCASE COVER W 70	1,00			--
0007		VTDD04284		NUT M8X1,25 X13X5 S2 INX	3,00			--
0008		VTRS09321		WASHER D. 8X13X1	3,00		07/2002	--
0008		VTRS46027		WASHER D. 8 C/CLL.	3,00			--
0009		PIVR28455		PISTON D.18 "44"	3,00			--
0010		GUGO01055		O-RING D. 5.28 X 1.78 VIT 70SH	3,00			--
0011		GUVR10257		ANTI-EXTR.RING WW161	3,00			--
0012		VTRS28456		WASHER D.16 X28 X1 PVC	3,00			--
0013		PVVR28457		PISTON GUIDE "44"	3,00			--
0014		PVVR28458		GUDGEON D.10X29.5 "44"	3,00			--
0015		BLVR28459		CONNECTING ROD "44"	3,00			--
0016		RCDS01088		CAP 1/4X 9 M WW90	1,00			--
0017		GUGO01036		O-RING D. 10.82 X 1.78 NBR 70SH	1,00			--
0018		VTVT01114		SCREW TCEI 6X14 UNI 5931	5,00			--
0019		MFVR28460		CRANKCASE COVER "44"	1,00			--
0020		GUGO18695		O-RING D. 101.27 X 2.62 NBR 70SH	2,00			--
0021		VTVR09510		KEY 8X7X35	1,00			--
0022		ALMO28464		SHAFT "44" WW 136	1,00			--
0023		PVVR01089		OIL DIPSTICK W 70	1,00			--
0024		GUGO28465		OIL SEAL 25X 62X10 NBR70	1,00			--
0025	S	RCDS28466		CAP M24X1.5X17 "44"	5,00			--
0027	S	VVAM28467		VALVE UNIT "44" WW136-186	6,00			--
0028	S	GUGO19395		O-RING D. 20.24 X 2.62 NBR 70SH	6,00			--
0030	S	GUVR11651		ANTI-EXTR.RING D. 10.6X15X2	1,00			--
0031	S	GUGO03501		O-RING D. 9.92 X 2.62 VIT 70SH	2,00			--
0032	S	PVVR12887		VALVE SEAT CONTROL SET W1	1,00			--
0033	S	VTVT18667		SCREW M 5X0,8X7,5	1,00			--
0034	S	PVVR18668		VALVE CLT	1,00			--
0035	S	GUGO03497		O-RING D. 6.75 X 1.78 VIT 80SH	2,00			--
0036	S	GUVR28469		ANTI-EXTR.RING D.22 X25X1,5	1,00			--
0037	S	GUGO08182		O-RING D. 21.91 X 1.78 NBR 70SH	1,00			--
0038	S	PVVR28470		VALVE GUIDE "44"	1,00			--
0039	S	PVVR28471		VALVE "44"	1,00			--
0040	S	MLML28472		SPRING D. 18.5 X11 "44"	1,00			--



Ref.	K	Part N.	Customer Part N.	Description	Qty	Validity: From To	Price
0041	S	PVVR28473		SPACER "44"	1,00		--
0042	S	GUVR04309		ANTI-EXTR.RING HM	1,00		--
0043	S	PVVR28474		CONTROL PISTON "44"	1,00		--
0044	S	GUGO01946		O-RING D. 9.13 X 2.62 VIT 70SH	1,00		--
0045	S	GUVR01940		ANTI-EXTR.RING D. 9,5X14X1,5	2,00		--
0046		GUGO01037		O-RING D. 23.81 X 2.62 NBR 70SH	1,00		--
0047		PVVR28475		BUSHING "44"	1,00		--
0048		PVVR28476		SPRING PLATE "44" INF.	1,00		--
0049		MLML28477		SPRING D. 7.6 X29 "44"	1,00		--
0050		MLML11655		SPRING D.15X35	1,00		--
0051		PVVR11656		SPRING PLATE W1	1,00		--
0052		PVVR18672		REGISTER COLT	1,00		--
0053		GUGO01057		O-RING D. 20.35 X 1.78 NBR 70SH	1,00		--
0054		VTVT20196		SCREW EI-ST 8X20 UNI5923	1,00		--
0055		VTDD09708		NUT M 8 UNI 5589	1,00		--
0088		UGEI09723		NOZZLE D. 1,8 KR OT58	1,00		--
0089		GUGO03507		O-RING D. 13.95 X 2.62 VIT 70SH	1,00		--
0090		RCDS19348		CONNECTOR 3/8M-F D.3 L=45	1,00		--
0097	S	GUGO08071		O-RING D. 4.48 X 1.78 NBR 70SH	2,00		--
0113		VTVT01121		SCREW TCEI 8X60 UNI5931	8,00		--
0114		VTRS01072		WASHER D. 8 TC	12,00		--
0115		MFVR39919		HEAD "44" WW D.18 V.I.TS	1,00		--
0116		VTRS01075		WASHER D.21,5X27 ALL	1,00		--
0117		RCDS01091		CAP 1/2X10 M	1,00		--
0118	S	GUGO01001		OIL SEAL 20X 30X 5 NBR70	3,00		--
0119		VTRS01074		WASHER D.17,05X22,3 X1,5	1,00		--
0120		RCDS01090		CAP 3/8X13 M WW90	1,00		--
0121	S	PVVR28501		HEAD RING D. 18 "44"	3,00		--
0122	S	GUVR28502		PACKING D. 18	3,00		--
0123	S	GUVR28503		PACKING D. 18 RESTOP	3,00		--
0124	S	PVVR28504		INTERMED. RING D. 18 "44"	3,00		--
0125	S	PVVR28506		PACKING RETAIN.D. 18 "44"	3,00		--
0126	S	GUGO01039		O-RING D. 31.47 X 1.78 NBR 70SH	3,00		--
0149	S	GUVR34583		PACKING D. 18 L.P.	3,00		--
0150	S	MLML39786		SPRING D. 7.5 X 37.5 INX	1,00		--
0151	S	GUGO28927		O-RING D. 9.13 X 2.62 NBR 70SH	1,00		--
0152	S	PVVR39690		CONTROL PISTON T-STOP "44" OT	1,00		--
0153	S	GUVR37627		ANTI-EXTR.RING D. 5.2X 8 X1.5	1,00		--
0154	S	GUGO09720		O-RING D. 14 X 1.78 NBR 70SH	1,00		--



Ref.	K	Part N.	Customer Part N.	Description	Qty	Validity:		Price
						From	To	
0155	S	PVVR37626		PISTON GUIDE T-STOP PRM OT	1,00			--
0156	S	GUGO06988		O-RING D. 7.66 X 1.78 NBR 70SH	1,00			--
0157		MPVR37623		SHELL T-STOP PRM PA	1,00			--
0158		GUGO01046		O-RING D. 45.69 X 2.62 NBR 70SH	1,00			--
0159		MECI37646		MICROSWITCH XGA2-88 16(6)A	1,00			--
0160		LAFN37625		PLUG "U" T-STOP PRM INX	1,00			--
0161		GUGO06824		O-RING D. 6 X 3 NBR 70SH	1,00			--
0162		MEVR27423		RING NUT MTH	1,00			--
0163		MECB39792		CABLE N.239 2X1 SG L=950	1,00			--
0164		MEPF39924		PRESSURE SWITCHSLV N.A. 16(6)A XGA 2	1,00			--



Ref. Part N.	Cust. Part N.	Description	Reference	Price
KTRI18585	KIT P	23	0118	--
KTRI28508	KIT P	15-123	0027	--
KTRI28510	KIT P	15-124	0025 0028	--
KTRI28514	KIT P	15-126	0125 0126	--
KTRI28516	KIT P	127	0122 0123 0149	--
KTRI28518	KIT P	128	0124	--
KTRI28520	KIT P	129	0121	--
KTRI28524	KIT P	131	0121 0122 0123 0124 0125 0126 0149	--
KTRI28526	KIT P	137	0030 0031 0032 0033 0034 0035 0036 0037 0038 0039 0040 0041 0042 0043 0044 0045	--
KTRI40084	KIT P	15-144 C.PIST. TST "44"	0045 0097 0150 0151 0152 0153 0154 0155 0156	--